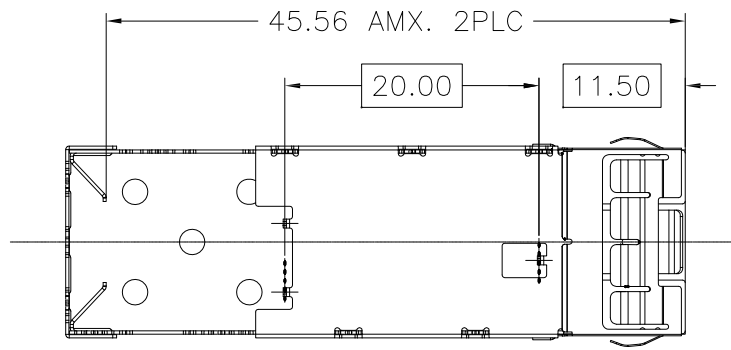
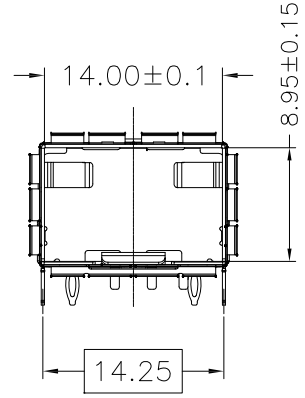
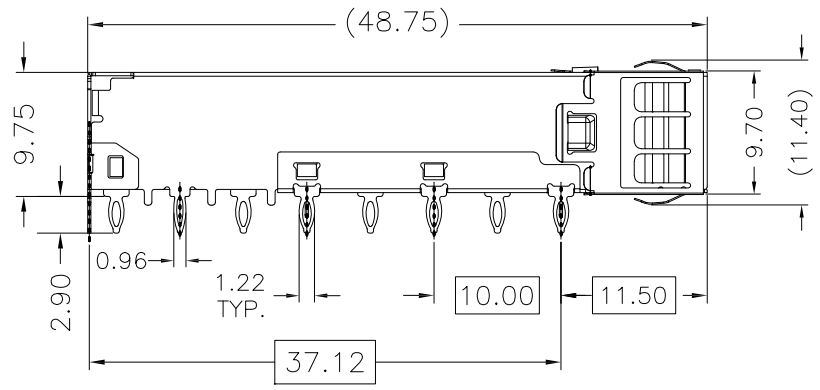
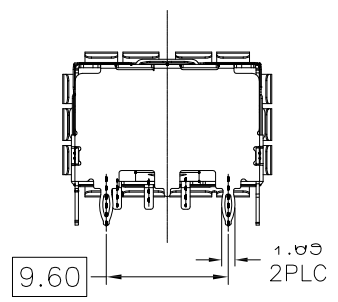
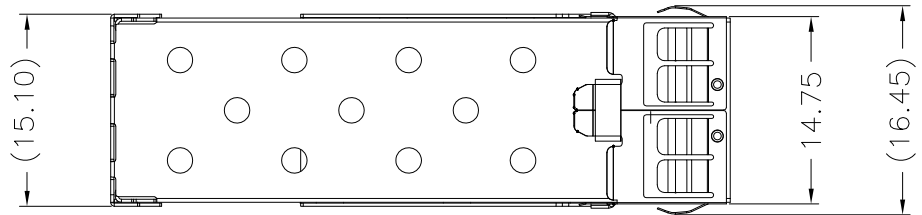


4		3
CATEGORY	DESCRIPTION	P/N #
CONNECTOR	SFP 1*1 插板式 CAGE	SFP01-11-HY

1				
REV.	ECN NO	DESCRIPTION	REVISED	DATE
A01	—	New Release	YST	2017.08.16



NOTES:

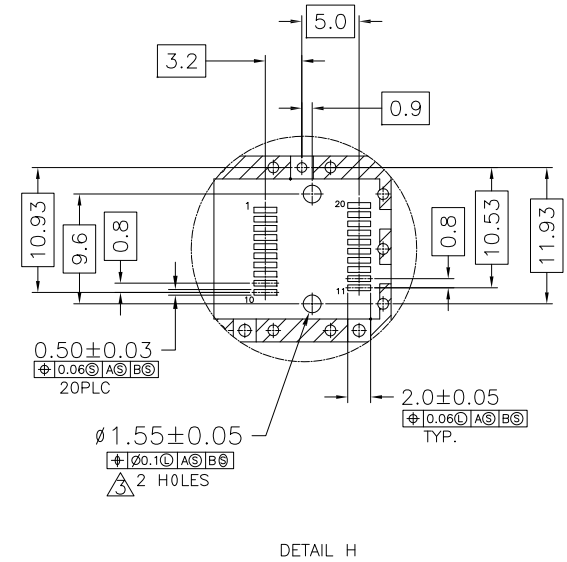
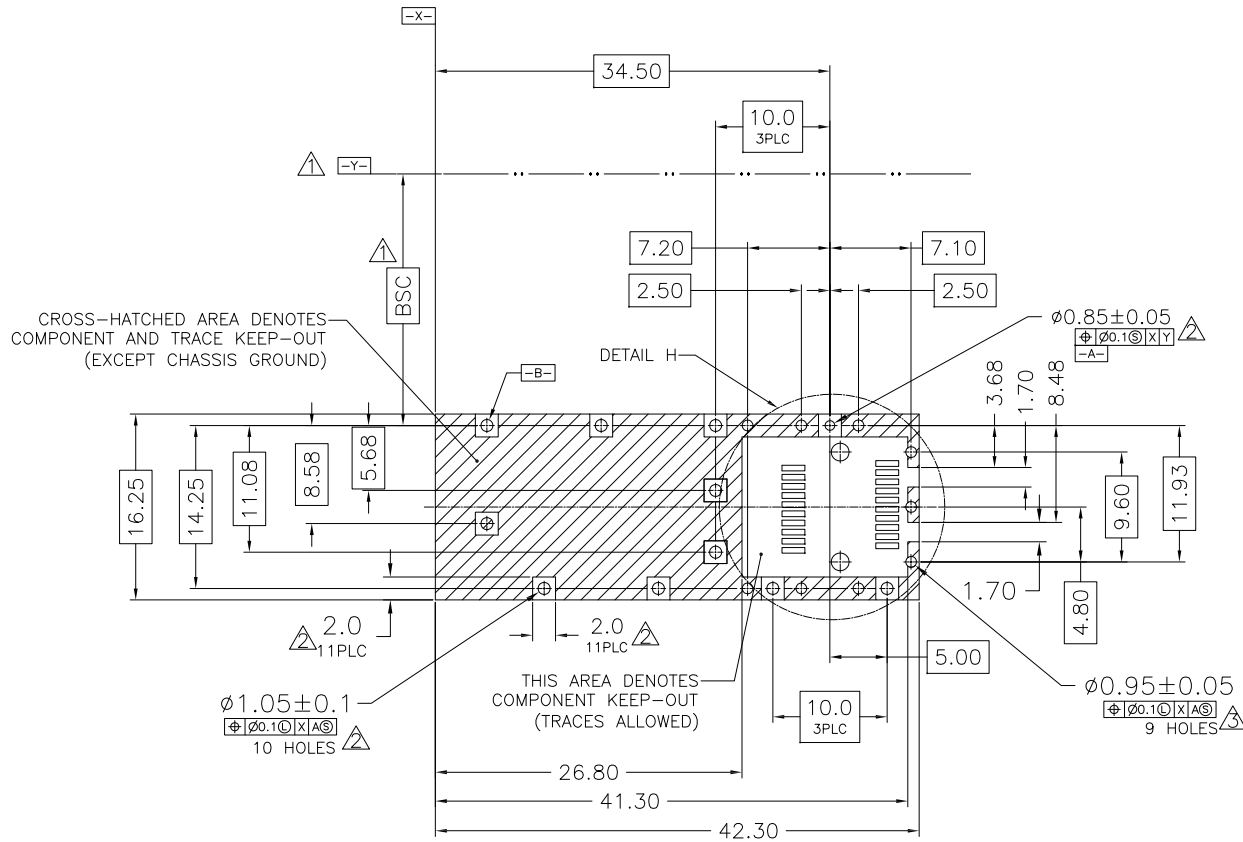
- 1.MATERIAL: NICKEL SILVER, THICKNESS 0.25mm
- 2.PACKAGING: TRAY PACKAGING
- 3.TEMPERATURE RANGE: -55°C TO +85°C


 東莞市合陵電子有限公司
 DongGuan HeLing Electronic Co.,LTD

UNLESS OTHERWISE SPECIFIED TOLERANCES	SCALE:1/1	UNIT: mm	DWG.NO:
	SIZE: A3	PAGE:1 OF 3	
DECIMALS:	ANGLES:	APPROVED BY	CHECKED BY
X :±0.5	X :±2°	DICK	XSX
X.X :±0.3	X.X :±1°		YST
X.XX :±0.2		CUSTOMER COPY	

4		3
CATEGORY	DESCRIPTION	P/N #
CONNECTOR	SFP 1*1 插板式 CAGE	SFP01-11-HY

1				
REV.	ECN NO	DESCRIPTION	REVISED	DATE
A01		New Release	YST	2017.08.16



ECOMMENDED PCB CONFIGURATION

NOTES:

- 1. DATUM AND BASIC DIMENSIONS ESTABLISHED BY CUSTOMER
- 2. PADS AND VIAS ARE CHASSIS GROUND, 11 PLACES
- 3. THRU HOLES, PLATING OPTIONAL

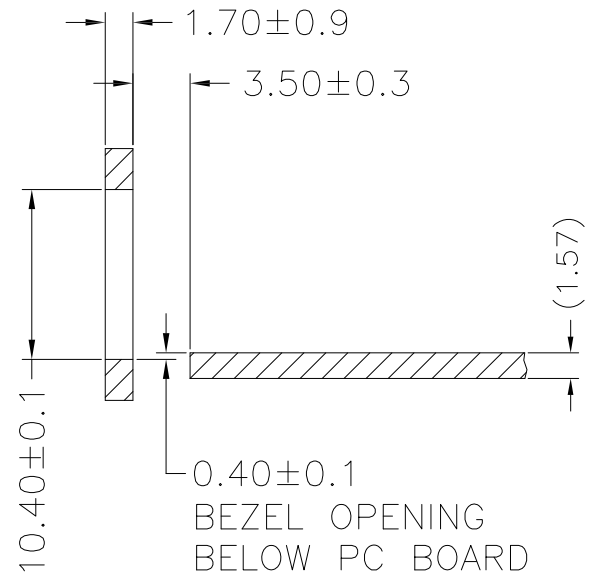
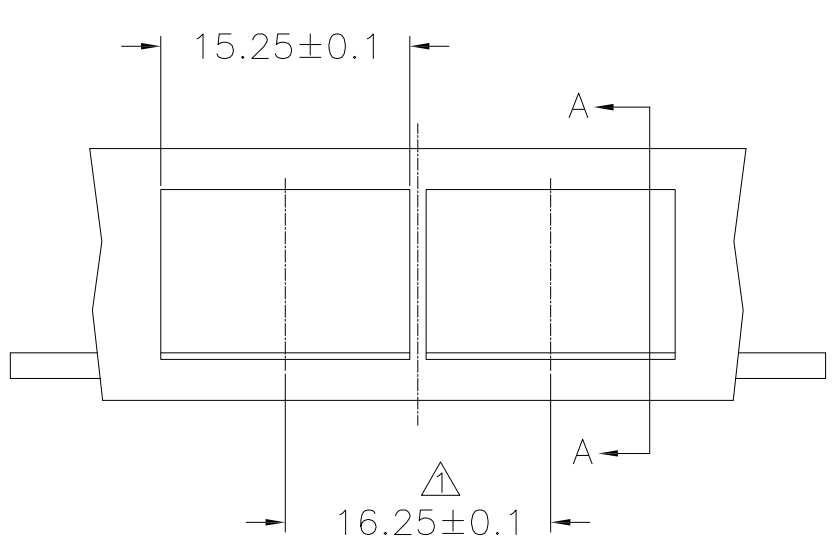


東莞市合陵電子有限公司
DongGuan HeLing Electronic Co.,LTD

UNLESS OTHERWISE SPECIFIED TOLERANCES	SCALE: 1/1	UNIT: mm	DWG.NO:
	SIZE: A3	PAGE: 2 OF 3	
DECIMALS:	ANGLES:	APPROVED BY	CHECKED BY
X : ±0.5	X : ±2°	DICK	XSY
X.X : ±0.3	X.X : ±1°		YST
X.XX : ±0.2		CUSTOMER COPY	

4		3
CATEGORY	DESCRIPTION	P/N #
CONNECTOR	SFP 1*1 插板式 CAGE	SFP01-11-HY

2	1			
REV.	ECN NO	DESCRIPTION	REVISED	DATE
A01	—	New Release	YST	2017.08.16



SECTION A-A

RECOMMENDED BEZEL DESIGN

NOTES:
 △ MINIMUM PITCH ILLUSTRATED, ENGLISH DIMENSIONS ARE FOR REFERENCE ONLY



東莞市合陵電子有限公司
 DongGuan HeLing Electronic Co.,LTD

UNLESS OTHERWISE SPECIFIED TOLERANCES	SCALE: 1/1	UNIT: mm	⊕ ⊖	DWG.NO:
	SIZE: A3	PAGE: 3 OF 3	REV: A01	
DECIMALS:	ANGLES:	APPROVED BY	CHECKED BY	PREPARED BY
X : ±0.5	X : ±2°	DICK	XSJ	YST
X.X : ±0.3	X.X : ±1°	CUSTOMER COPY		
X.XX : ±0.2				